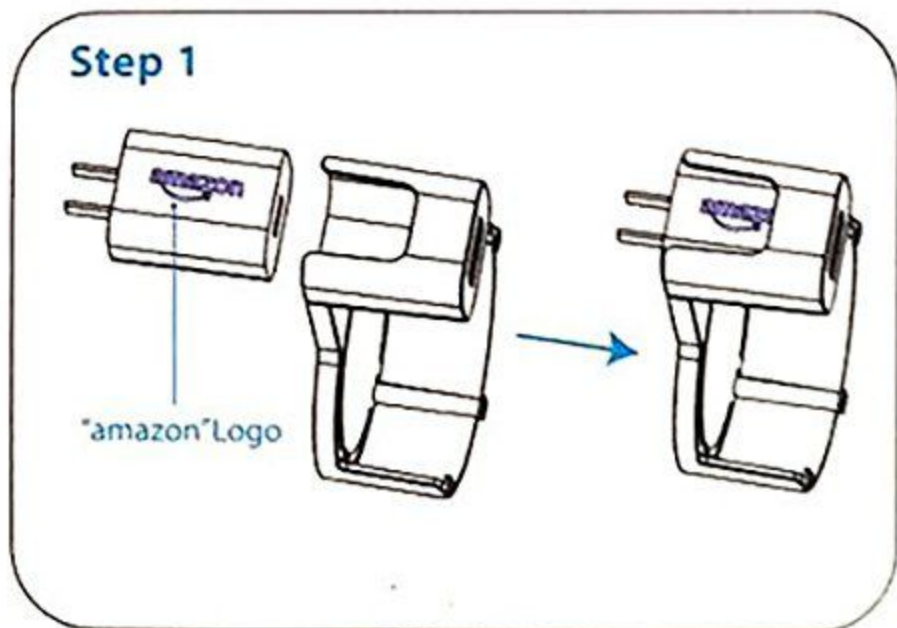
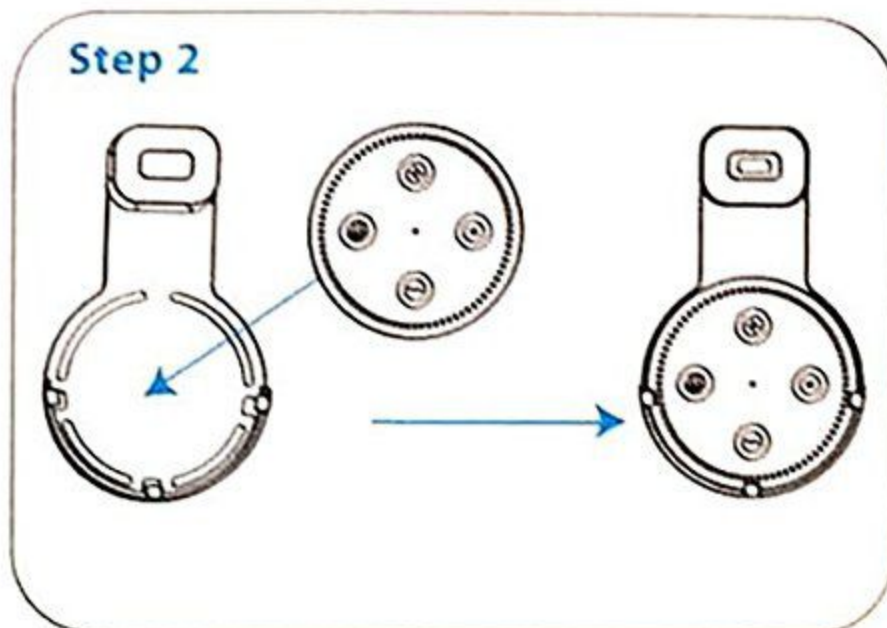


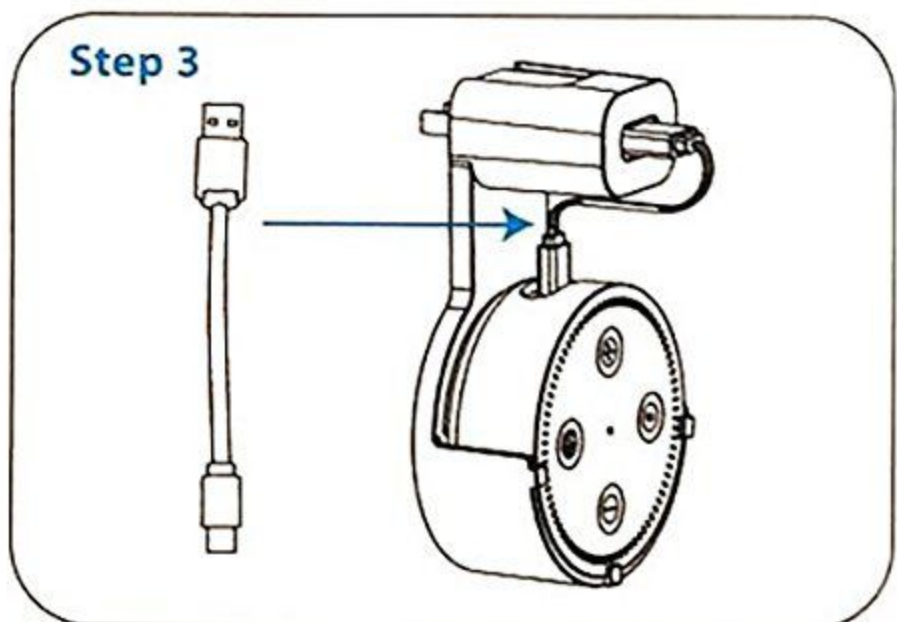
# User guide



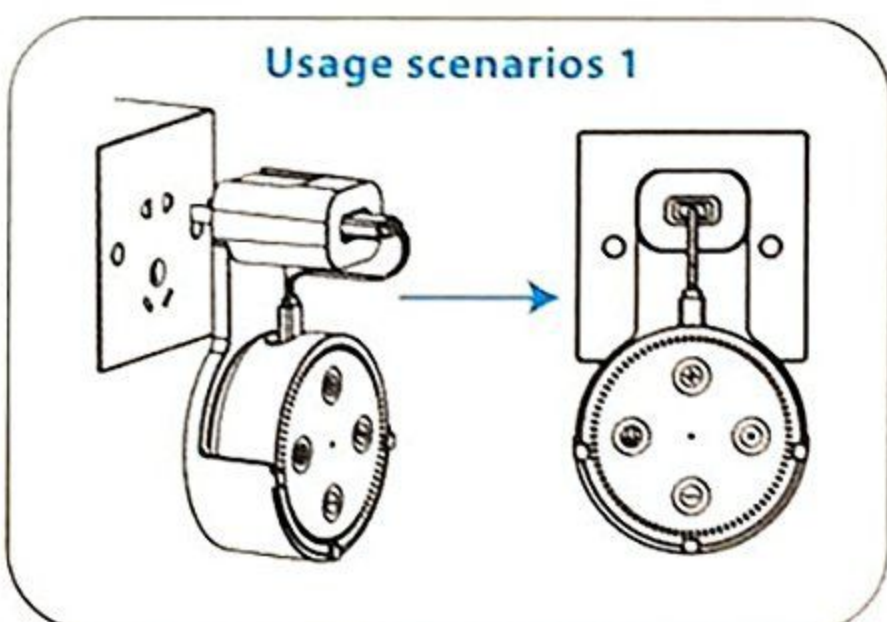
Put the original adapter of echo dot into the shell, make the "amazon" Logo Side upwards and displayed.



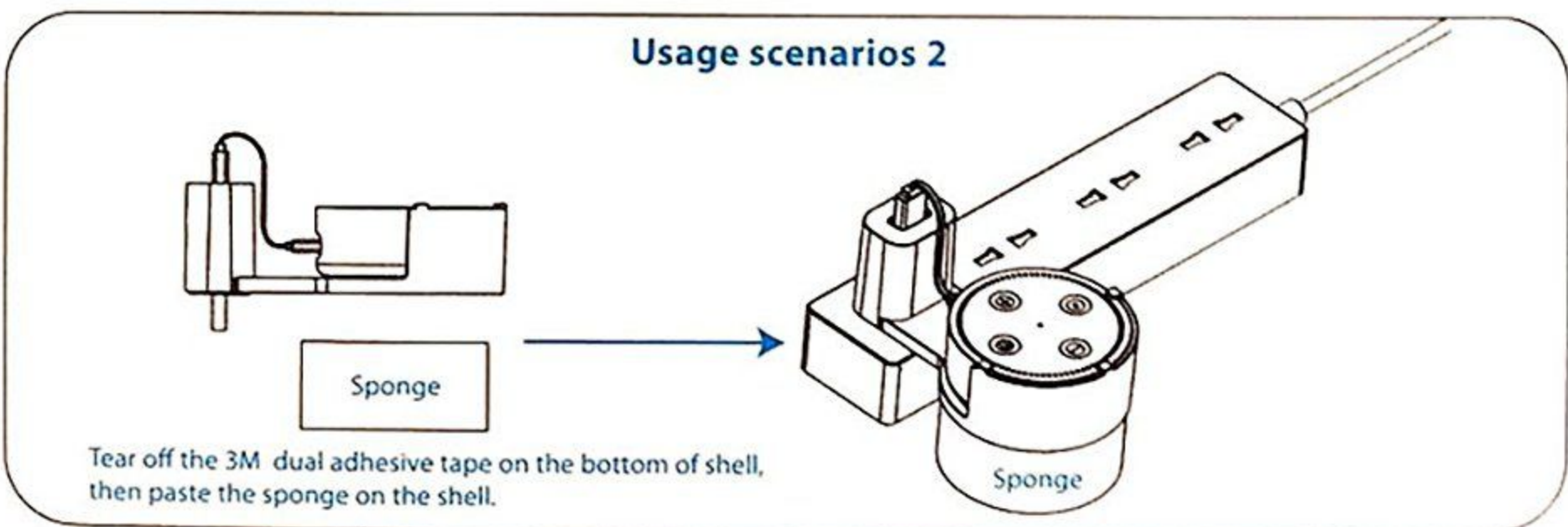
Put the echo dot into the shell.



Connect the echo dot and adapter with the charging cable.



Insert the echo dot into the wall socket.



Insert the echo dot into the desktop socket.